

REFERENCE : KI0353

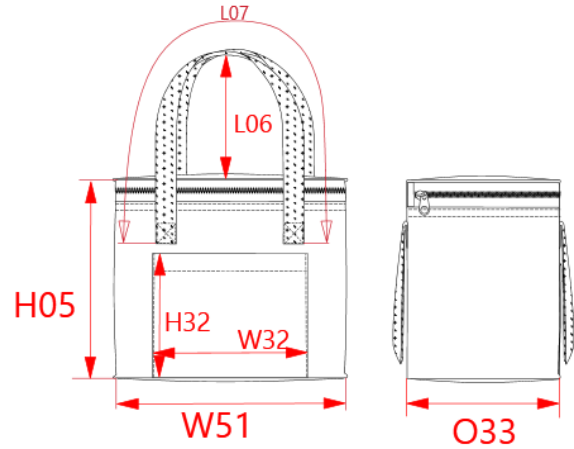
SIZES : U

COMPOSITION :

Main fabric : Jute PU backing - 330 For bag 100%jute
 Main fabric : Cotton canvas - 130 For front pouch 100%cotton
 Lining 1 : EPA foam High density insulating internal foam 100% EPA
 Lining 2 : PEVA Aluminium lining on inside, special for cooler bags. 100%polyethylene vinyl acetate

ARTICLE WEIGHT :

245 gr/pc



DESCRIPTION	COLORS	PANTONE SERIGRAPHIE
<p>Français : Sac isotherme en jute - modèle moyen</p> <p>English : Jute cool bag- medium size</p> <p>Nederlands : Koeltas van jute - middelgroot model</p> <p>Deutsch : Mittelgroße Kühltasche aus Jute</p> <p>Español : Bolsa isotérmica de yute - modelo mediano</p> <p>Italiano : Borsa isotermica in iuta - modello medio</p> <p>Português : Saco isotérmico em juta - modelo médio</p>	Natural	7534C

MEASUREMENT							
Description	U						
H05 Hauteur totale / Total height	25						
W51 Total width	28						
L07 Light of shoulder handles	61						
H32 Hauteur poche devant / Front pocket height	18						
W32 Largeur poche devant / Front pocket width	20						
L06 Light of top handle	22						
O33 Deep of bottom part	17						

PACKING	
Box	40 pcs / box U => L:62cm W:50cm H:55cm GW:12.88kg NW:10.40kg